

Cascade Victorian Fence Installation Instructions

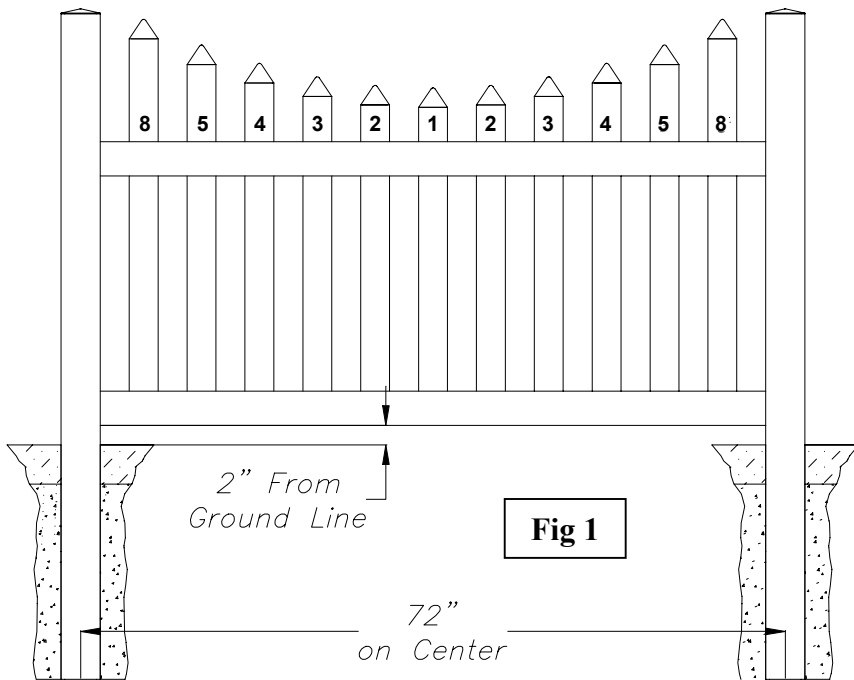


Fig 1

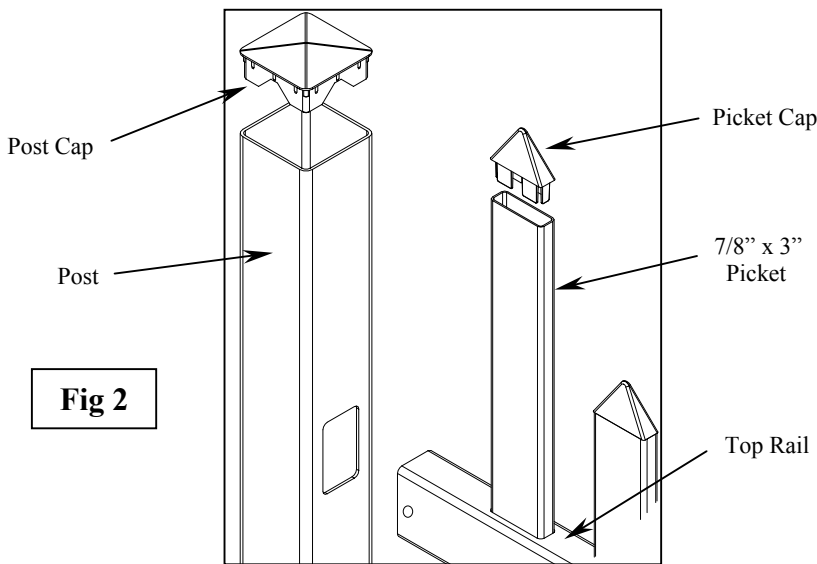


Fig 2

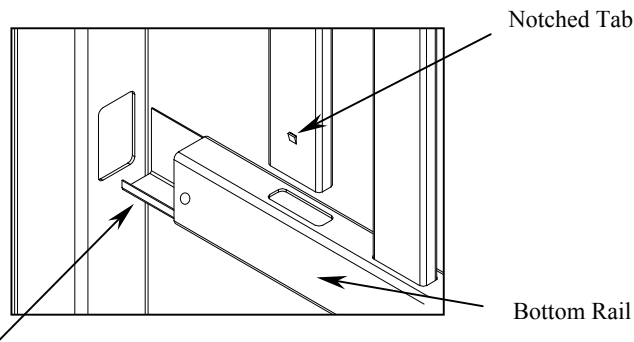


Fig 3

Reinforcement Rail

1) Dig postholes 72" on center. Holes should be 9-12" in diameter and 30" in ground. (Fig. 1)

2) Place post in hole and tap down so that there is 2" of clearance from ground. (Do not set posts permanently in place at this time)

3) (Fig. 3) Insert the reinforcement rail into the bottom rail. Insert rail locks into rail lock holes. Install bottom rail into posts.

4) With bottom rail installed, level bottom rail by tapping on posts. Make sure to maintain 2" ground clearance.

5) When posts and rails are leveled, postholes may be packed and filled. Crushed stone or concrete may be used. If using concrete, let concrete set before continuing installation. Keep concrete 4" - 6" below ground level.

6) Install top rail in same fashion as bottom rail in operation #3. (Fig. 2) **Note that the picket holes are larger on the rail bottom and face down!**

7) Install pickets by inserting down through the top rail and locking tabs into the bottom rail. Longer pickets are to the outside with the shortest picket in the middle. There are 2 pickets of each size except the center picket. Pickets are numbered on the inside and correspond as shown in Fig. 1. **Make sure that the pickets are in the correct position before locking in place!**

8) Install picket caps and post caps (4" flat shown) by pressing into place. A dab of PVC glue may be used to secure caps permanently in place. (Fig. 2)



Royal Outdoor Products

Royal Outdoor Products. PO Box 360. Milford, IN 46542
Phone 800-365-3625. Fax 574-658-3147

Cascade Victorian Fence

