

INSTALLATION INSTRUCTIONS

railing

CONCRETE POST MOUNT

NOTE

This Mount can be used on all Railing styles. The 5" style does not use the Reinforcement Plate 3.

Use a HILTI Kwik Bolt II® 3/4" x 8" or equivalent. Follow the HILTI instructions for installations. The bolt must be at least 7" from the edge of the concrete with a minimum of 4-1/2" embedment for a secure hold.

See Illustrations 29-31 for specific components listed below by number.

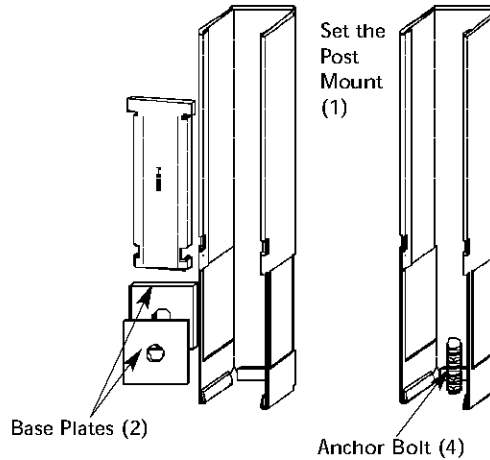


ILLUSTRATION 29

- 1) Set the Post Mount (1) over the Anchor Bolt (4), centering the Post Mount. The Bolt should protrude 1-3/4" above grade.
- 2) Set both Base Plates (2) on the lip at the bottom of the Post Mount and over the Anchor Bolt.
- 3) Install the Washer (6) and Nut (5), hand tightening.
- 4) Install the Reinforcing Plate (3) and tap into place.
- 5) Check the Post Mount for plumb. Level and shim the Post Mount under the corners as required.
- 6) Tighten the Nut with a ratchet or wrench.
- 7) Tap the sides of the Post Mount with a hammer against the Reinforcing Plates to seat the Base Plates.
- 8) Install the vinyl Post over the Post Mount. Install the Post Skirt per instructions on page 20.

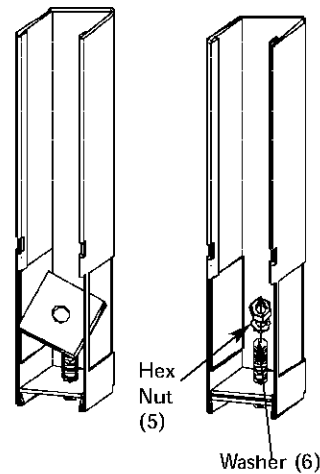


ILLUSTRATION 30

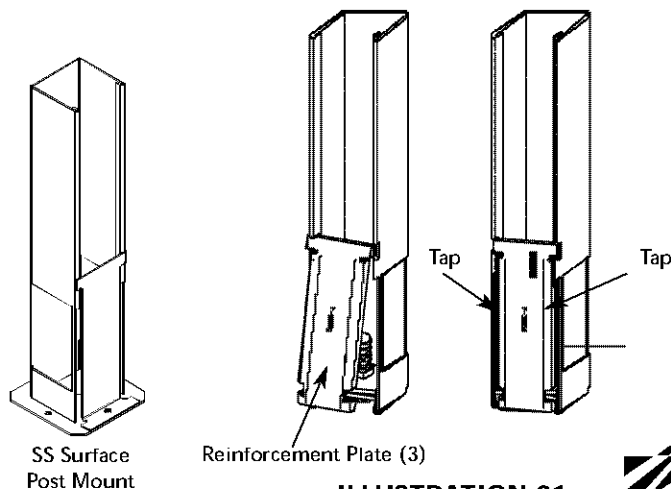


ILLUSTRATION 31