

Installation Instructions

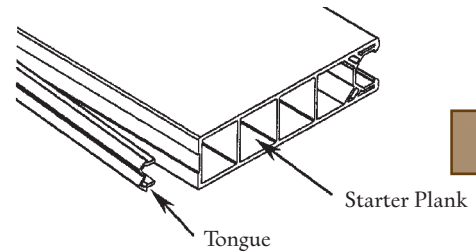


Fig. 1

Step 1 The tongue may be removed from starter piece. This can be done with a circular or table saw. (Fig. 1)

Step 2 Cut deck plank to desired length. Drill an access hole through the top surface only. (Starter plank only.) Screw the bottom to the joist through the access hole. (Fig. 2) **Be sure to start this plank straight! Do not over tighten screws. Set torque on screw gun properly. Use with clutch-type screw gun!**

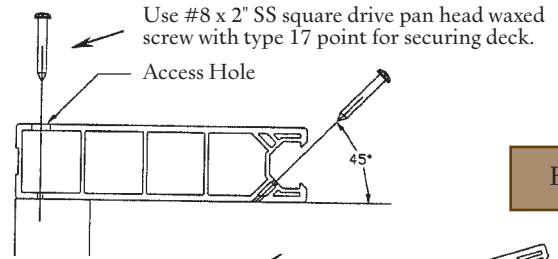


Fig. 2

Step 3 Secure opposing edge of plank to joist as shown, with one screw at the intersection of each stringer. Make sure to start screw tip in the locating groove. Maintain 45-degree angle when driving screws. (Fig. 2)

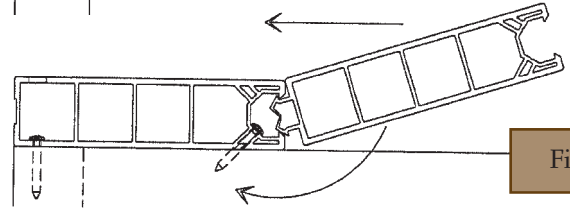


Fig. 3

Step 4 Cut next deck plank to desired length. Slide tongue under top lip and snap into place. (Fig. 3)

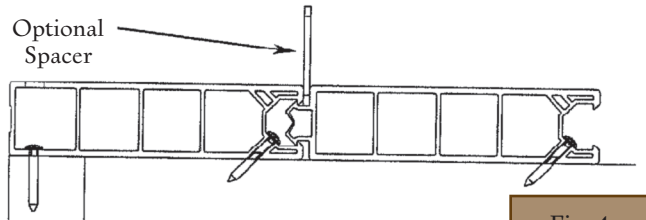


Fig. 4

Step 5 Secure edge of deck board to joist as in step #3. (Open-groove side only!) (Fig. 4) If a gap is desired, use a spacer between deck boards at each screw location to maintain the gap between the deck boards. Repeat this process until all of the deck boards are installed. Last deck board may be cut down to desired width. When removing open-groove side of deck board, secure deck plank to joists as in step #2. (Fig. 5)

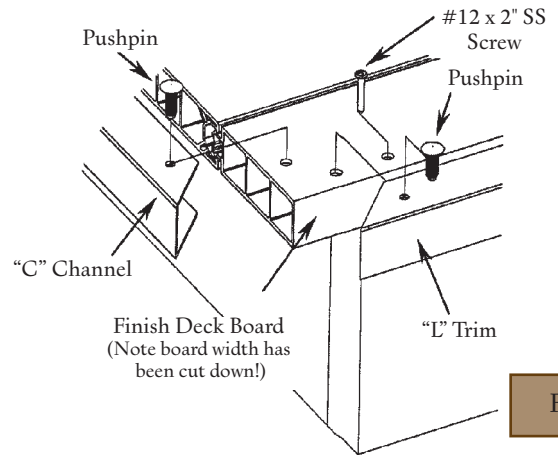


Fig. 5

Step 6 Finish by trimming out the deck edges with "L" Trim and "C" Channel. Use "L" Trim for flush edges and "C" Channel for overhangs. Secure trim pieces with pushpins every 16". Drill 1/4" hole through trim pieces and deck board, and secure by pressing pushpin in place. (Fig. 5) The Deck Lok trim piece can also be used to finish out the front of deck or steps. Install by snapping into place. (Fig. 6)

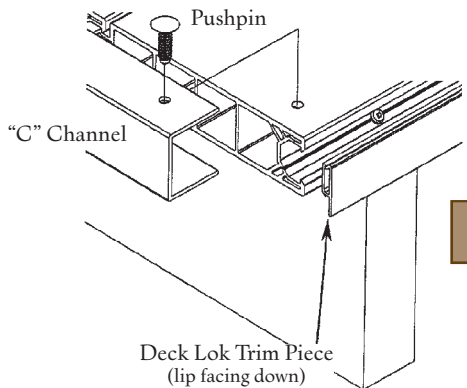


Fig. 6

Safety 1) Always check for power lines before digging.
2) Always wear safety glasses when operating equipment.

Tips 1) Substructure should be plumbed and square.
2) Joists should be spaced to a maximum of 24" on center.
3) Maximum coverage of each board is 5 15/16".
4) Overhang deck boards to a maximum of 4".
5) Flashing is necessary if attached to a dwelling.
Uncovered decks should be sloped 1%. (1% is 1" in 100")

Care and Cleaning

Ordinary dirt and mud usually wash off with a hose. At times it may be necessary to use a non-abrasive household cleaner to remove residue and then rinse with a hose.

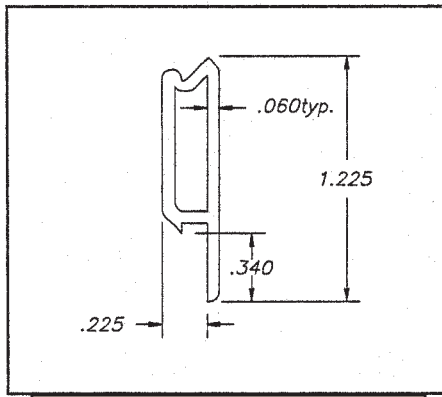


Royal Outdoor Products
P.O. Box 360 | Milford, IN 46542-0360
Phone 800-365-3625 | Fax 574-658-3147

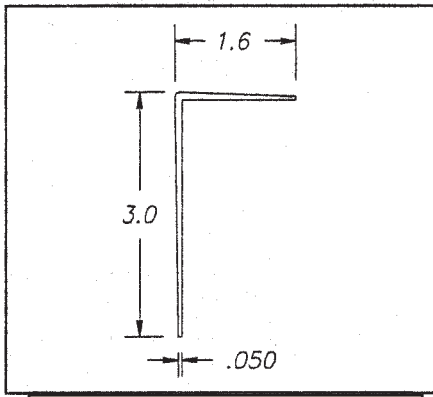
06/03

DL002

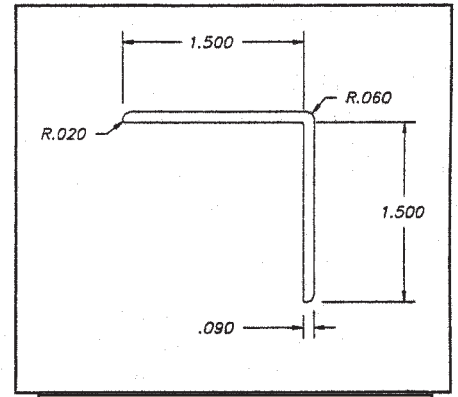
Deck Lok Parts



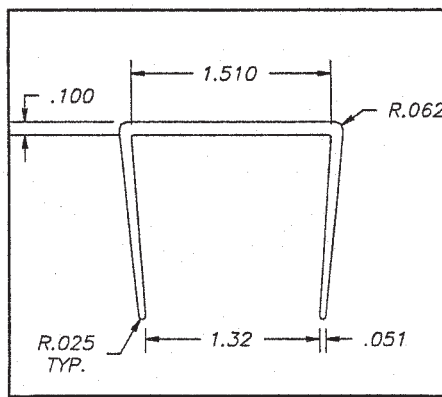
D*43018 Deck Lok Trim Insert



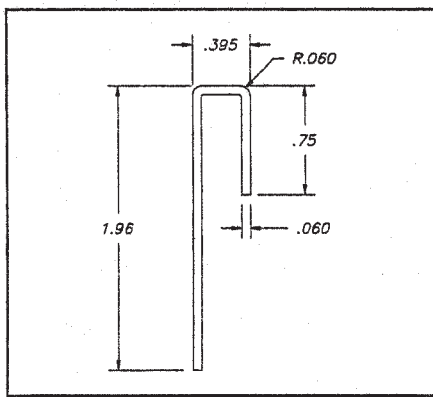
D*80752 L-Trim



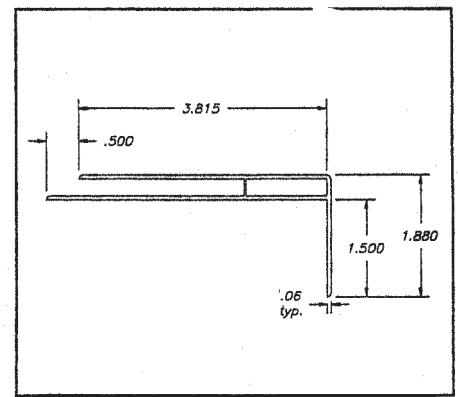
R*1171 L-Trim



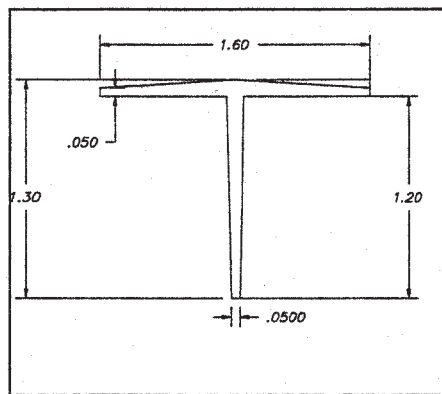
D*80892 C-Channel



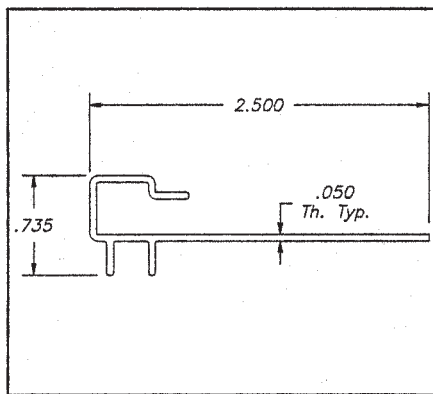
D*42603 J-Channel



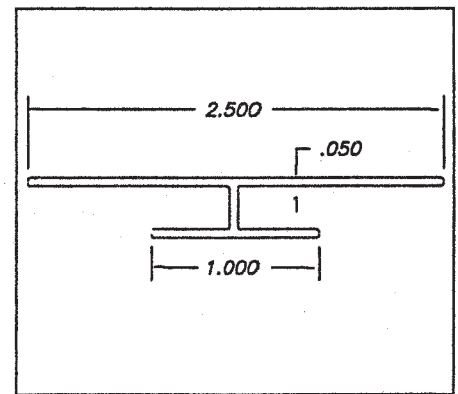
D*42604 Extended "J"



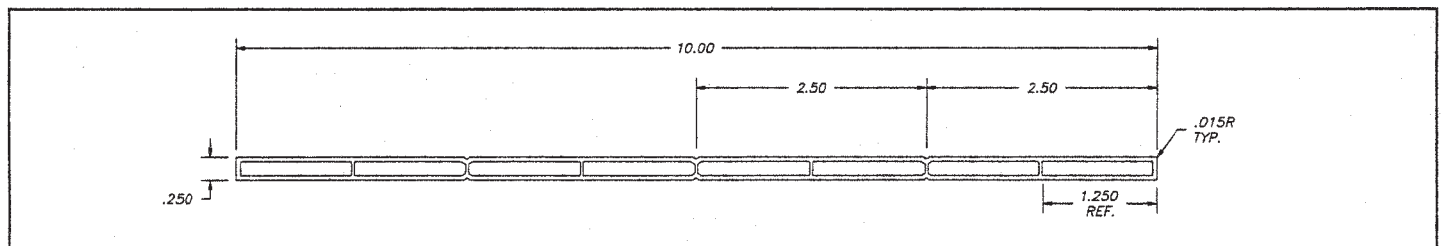
D*80751 T-Strip



D*42484 Fascia Corner Trim



D*42519 Fascia Splicer



D*42438 1/4" x 10" Fascia