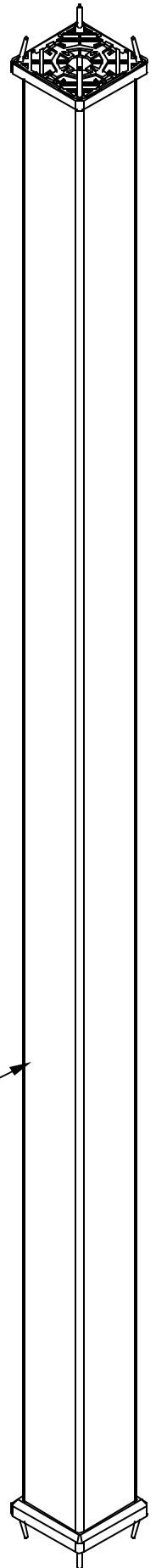
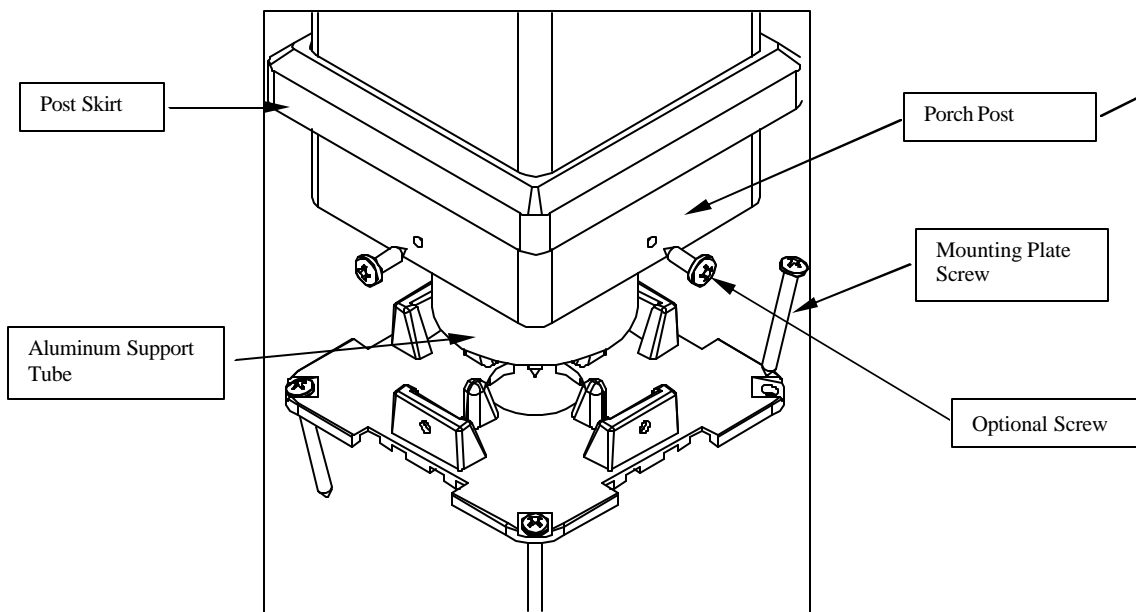


# Decorative Porch Post from Royal Outdoor Products Installation Instructions

- 1) Measure opening required for porch post. Cut porch post and support tube to desired length. These should be the same length. Remember to allow 7/16" for the mounting plates.
- 2) Slide post skirts over the end of the porch post before installing the mounting plates. This has to be done prior to installing the mounting plates!
- 3) Insert the mounting plates onto the top and bottom of the post. Make sure that the internal legs are inserted inside the support tube and the outer legs are inside the porch post.
- 4) "Optional" Install screws through the post and into mounting plate. Do so by drilling a hole through the porch post and into the mounting plate. Center the hole on the post approximately 3/8"-7/16" from bottom of post. (size of hole dependent upon size of screw used.)
- 5) Slide porch post into place on porch. Make sure that post is plumb and level. Location of posts must be planned on ahead of time!
- 6) Install mounting plate screws (not provided) through bottom base plate and into decking surface. If installing on a concrete surface use appropriate fasteners such as "tap cons" or other concrete fasteners.
- 7) Install top mounting plate screws through mounting plate and into beam, rafter, or other supporting member. Solid bridging is necessary at the top and must be planned on before starting the installation!
- 8) Slide post skirts into place. The top post skirt can be held in place by place by one screw. A "white" painted screw will look the best.



# Decorative Porch Column from Royal Outdoor Products Installation Instructions

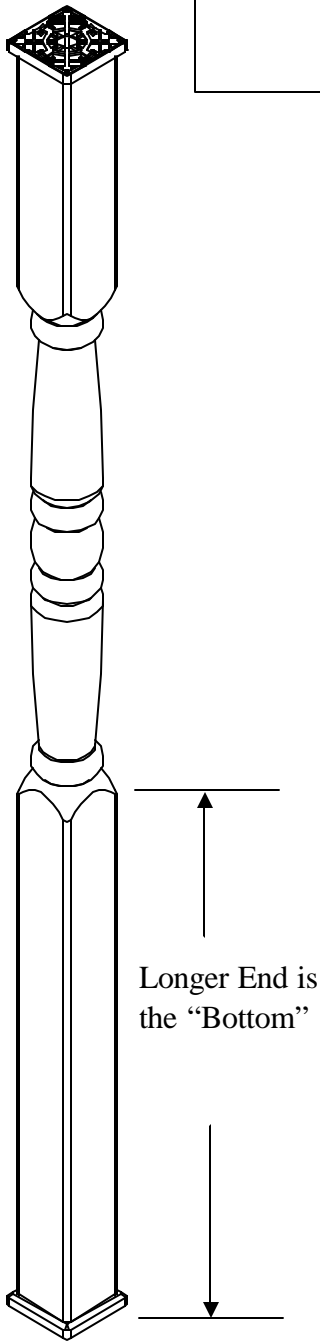
## Installation Instructions

Step 1) Measure the height of your opening. The post and aluminum support tube will need to be 13/32" shorter than the opening to allow for the mounting plates. Make sure that the porch column and support tube are cut the same length and that the cuts are square! Always double-check your length requirements before cutting!

Step 2) The bottom end is long enough to allow for 42" railing. You may cut 6" off this end for a 36" railing. Then, shorten the remainder from the top if necessary. If using a Gingerbread Spindle system on top section plan ahead before cutting the column! (See Note)

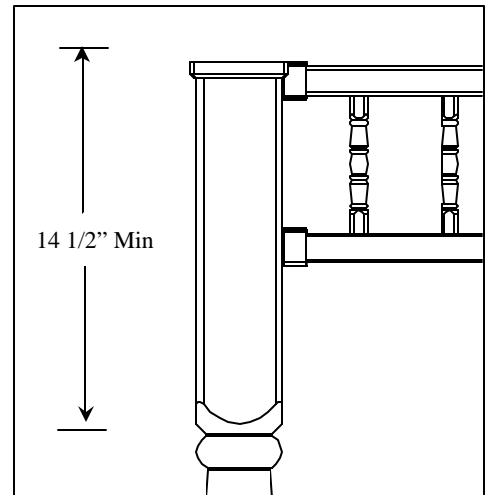
Step 3) Slide post skirts over the ends of the porch column. Attach the porch column to the mounting plates as shown. (Screws not provided)

Step 4) Install porch columns by securing the mounting plates to the deck surface and roof structure. Use non-corrosive fasteners to secure the mounting plates. After attaching the mounting plates, slide post skirts over the mounting plates and snap into place.



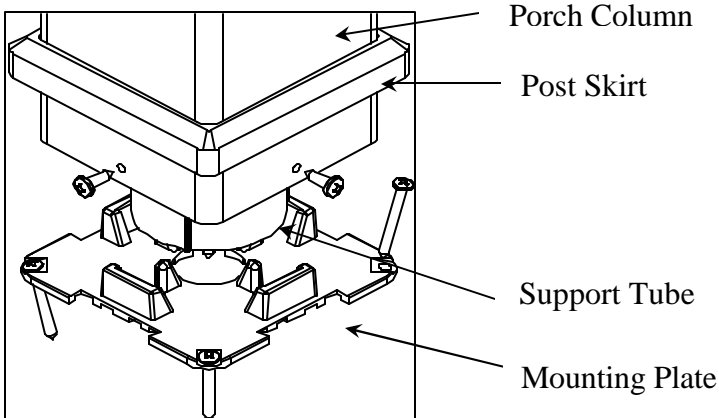
Longer End is the "Bottom"

Note: Leave adequate length on the upper portion of the porch column if using "Gingerbread Spindles" or scrollwork. (Refer to Gingerbread Railing Instruction sheet)



Gingerbread Attachment

Mounting Plate Attachment



Porch Column

Post Skirt

Support Tube

Mounting Plate



**Royal Outdoor Products**

Royal Outdoor Products . PO Box 360 . Milford, IN 46542  
Phone 800-365-3625 . Fax 574-658-3147 (May 2007)