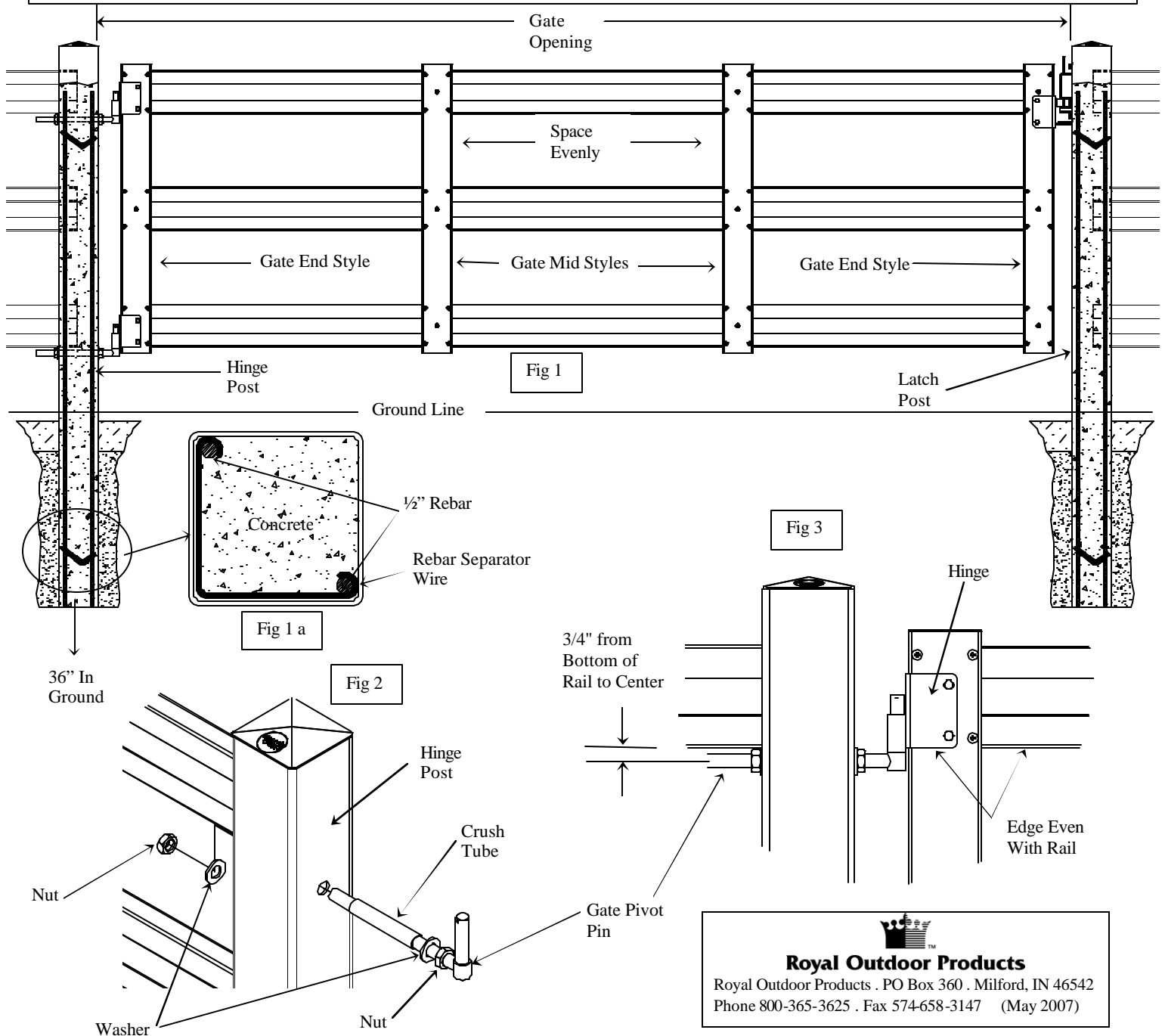


Ag Gate Kit Installation Instructions

Gate Post Installation:

- 1) Set gate opening to be 6" larger than overall gate width. This will allow for gate hardware and adjustments. (Fig. 1)
- 2) If using gate inserts, install at this time. If using concrete and rebar (shown Fig 1 a) instead of gate inserts, install gate pivot pins prior to filling with concrete. (steps # 4 & 5)
- 3) Set hinge and latch posts in concrete. Postholes should be a minimum of 18" in diameter and 36" deep to prevent posts from sagging. Make sure that the post tops are even and level.
- 4) Install gate pivot pins. Drill a 7/8" diameter hole clear through post, located 3/4" below the top and bottom rail. (Fig. 3)
- 5) Insert gate pivot pins through holes placing a nut and washer on each side of the post. The "crush" tube should be located between the two washers. Hand tighten at this time. (Fig. 2)
- 6) Set post footings in concrete at this time and double check posts for level and alignment. Allow footings to cure for a minimum of 48 hours before hanging gate! (allow filled post 7 days)

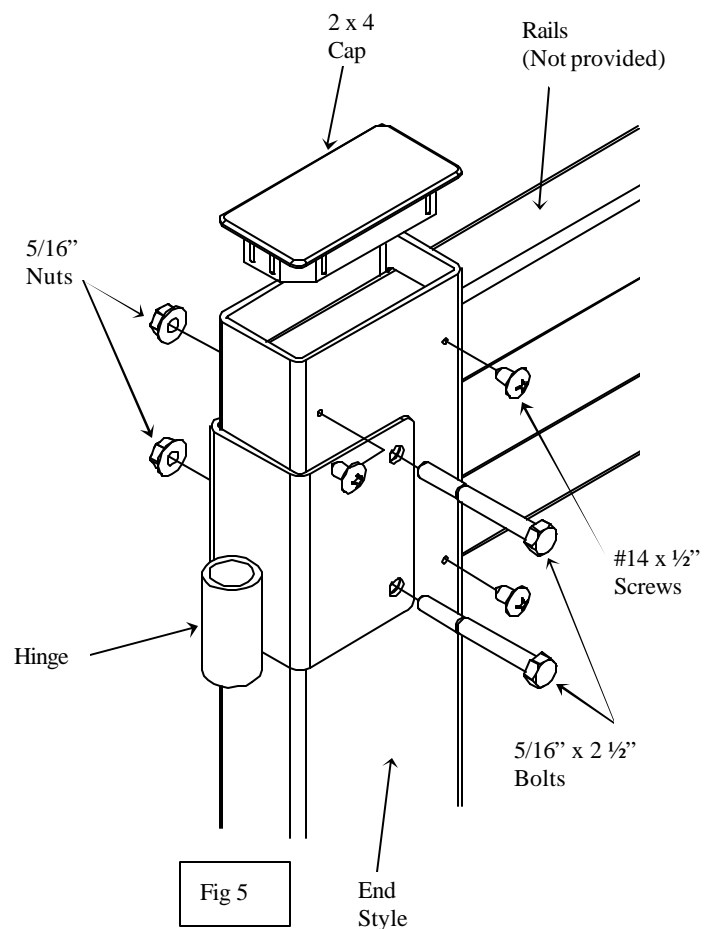
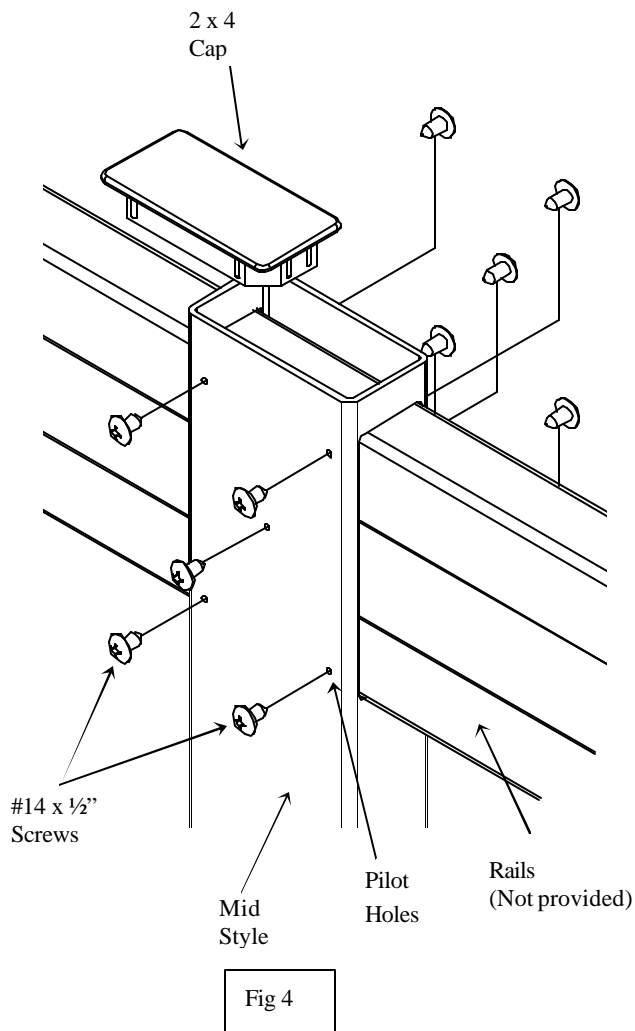



Royal Outdoor Products
 Royal Outdoor Products . PO Box 360 . Milford, IN 46542
 Phone 800-365-3625 . Fax 574-658-3147 (May 2007)

Ag Gate Kit Installation Instructions (cont.)

Gate Assembly:

- 1) Cut the rails so that the overall gate width is 6" less than the gate opening. (Rails are not provided in gate kits) Make sure to cut ends square.
- 2) On a clean flat surface, slide the mid styles over the planks followed by the end styles.
 - a. 0 - 4' - No Mid styles
 - b. 4' - 8' - Minimum of one mid style recommended
 - c. 8 - 12' - Minimum of two mid styles recommended
- 3) Attach with #14 x 1/2" screws through the pilot holes in the gate styles and into the rails. Screws will be attached (5 each side) front and back at each intersection of the gate styles. Space the mid styles evenly along the rails. Note that some of the screws on the end styles may need to be removed for the hinge and striker installation. (Fig. 4 & 5)
- 4) Locate the hinges on the end style by aligning the bottom of the bracket with the bottom of the rail. (Fig. 3) Mark the location of the holes and drill 5/16" diameter through holes. Attach hinges with 5/16" x 2 1/2" bolts and hardware provided. (Fig. 5)
- 5) Attach 2" x 4" closure caps to top end of gate styles. Use PVC glue to secure in place.



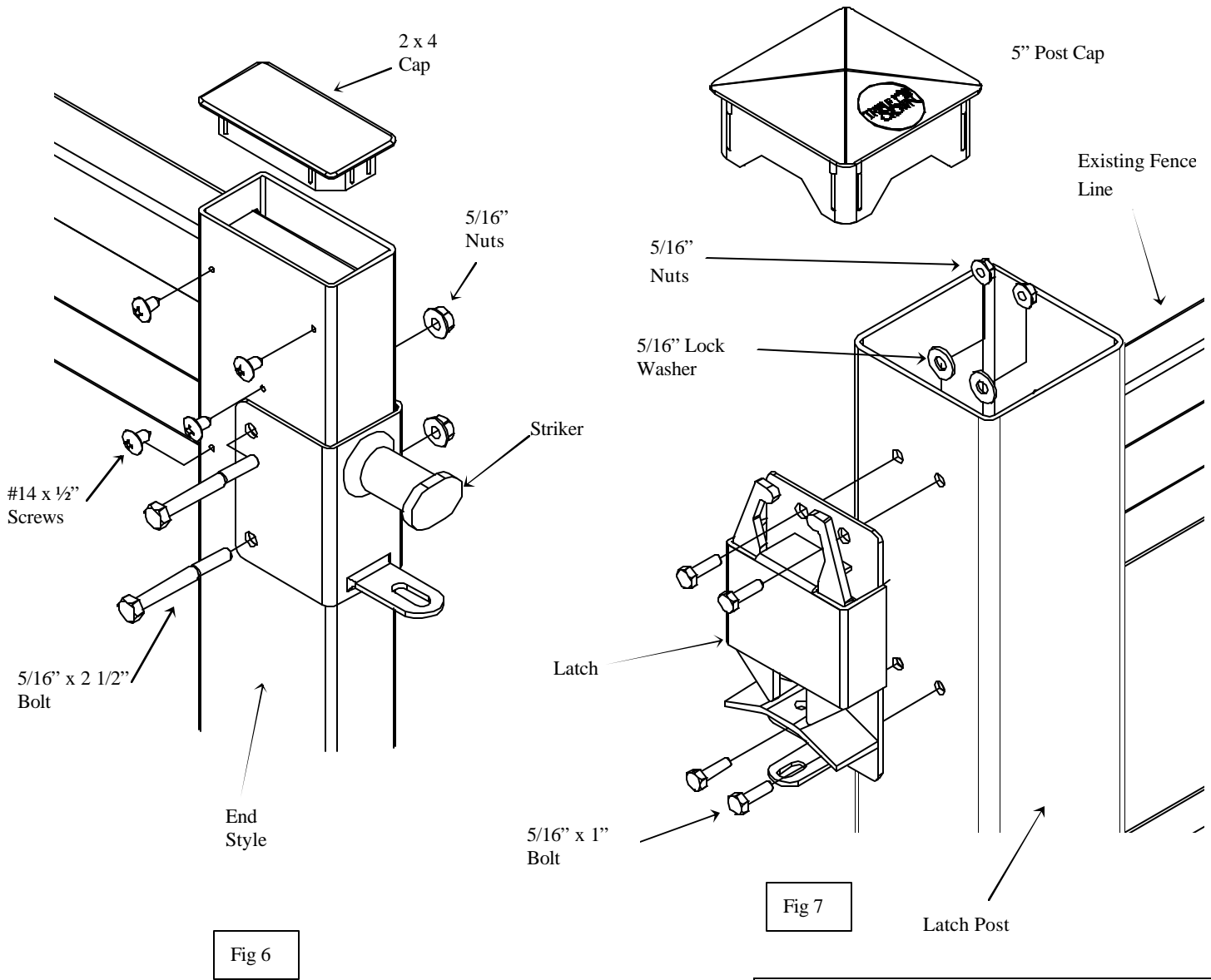
Royal Outdoor Products

Royal Outdoor Products . PO Box 360 . Milford, IN 46542
Phone 800-365-3625 . Fax 574-658-3147 (May 2007)

Ag Gate Kit Installation Instructions (cont.)

Hanging the Gate:

- 1) Hang assembled gate onto gate pivot pins. Make sure that footings have cured a minimum of 48 hours. (Fig. 1)
- 2) Block up the latch end of the gate and level it. Leveling can be accomplished by adjusting the nuts on the gate pivot pins.
- 3) When the gate is leveled, position the latch on the latch post. Mark and drill 5/16" diameter holes through one wall only. Secure with 5/16" x 1" bolts and hardware provided. Location of latch will vary as per each customer but is usually located at the top of the latch post. (Fig. 7)
- 4) Position the striker on the gate end style to match up with the gate latch. Remove any screws on the end style that the striker will cover. Mark the location of the holes and drill 5/16" diameter through holes. Secure striker with 5/16" x 2.5 bolts and hardware provided. (Fig. 6)





Royal Outdoor Products
 Royal Outdoor Products . PO Box 360 . Milford, IN 46542
 Phone 800-365-3625 . Fax 574-658-3147 (May 2007)